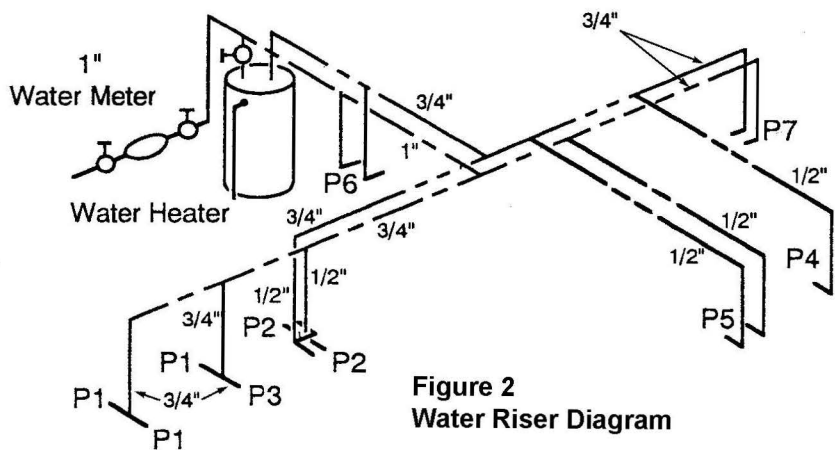


- P1 Tank Water Closet
- P2 Lavatory
- P3 Urinal
- P4 Dishwasher
- P5 Hand Sink
- P6 Mop Sink
- P7 3-Compartment Sink
- P8 Floor Drain (without backwater valve)

Figure 1
Floor Plan

Maximum Developed Length: 40 Feet
Pressure Range: 46 - 60 psi

Individual Branches 1/2" Unless
Otherwise Noted



--- Cold Water
- - - Hot Water

Figure 2
Water Riser Diagram

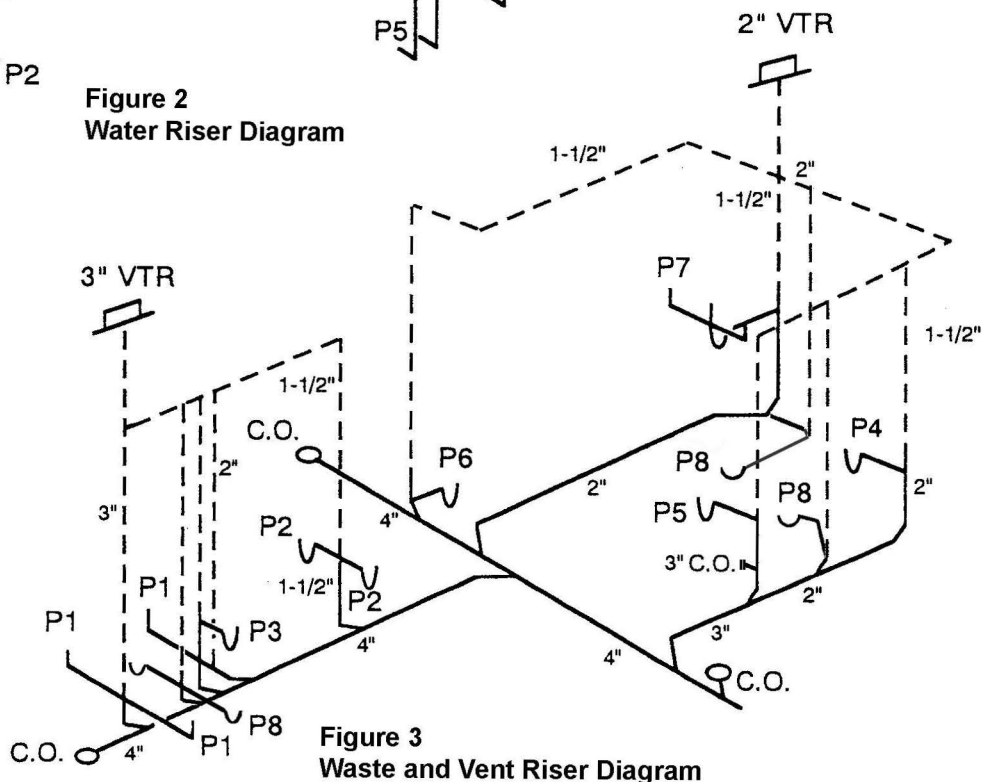


Figure 3
Waste and Vent Riser Diagram