

Plumbing Board
 c/o Department of Labor and Industry
 443 Lafayette Road North
 St. Paul, MN 55155-4344
www.dli.mn.gov
 Email: DLI.cclboards@state.mn.us

Plumbing Board Request for Action

PRINT IN INK or TYPE

NAME OF SUBMITTER		PURPOSE OF REQUEST (check all that apply): <input type="checkbox"/> New Code	
Michael Westemeier		<input type="checkbox"/> Code Amendment	<input type="checkbox"/> Repeal of an existing Rule
The Minnesota Plumbing Code (MN Rules, Chapter 4714) is available at https://epubs.iapmo.org/2020/MPC/			
Specify the purpose of the proposal: If recommendation for code change for appurtenance or method (check all that apply)			
<input type="checkbox"/> Appurtenance (e.g., water conditioning equipment)	<input type="checkbox"/> Test Method		
<input type="checkbox"/> Other (describe)			
Does your submission contain a Trade Secret? <input type="checkbox"/> Yes <input checked="" type="checkbox"/> No			
If Yes, mark " TRADE SECRET " prominently on each page of your submission that you believe contains trade secret information. Minnesota Statutes, section 13.37, subdivision 1(b), defines "trade secret" as follows: "Trade secret information" means government data, including a formula, pattern, compilation, program, device, method, technique or process (1) that was supplied by the affected individual or organization, (2) that is the subject of efforts by the individual or organization that are reasonable under the circumstances to maintain its secrecy, and (3) that derives independent economic value, actual or potential, from not being generally known to, and not being readily ascertainable by proper means by, other persons who can obtain economic value from its disclosure or use. Note that, although "trade secret" information is generally not public, the Board and its committees may disclose "trade secret" information at a public meeting of the Board or committee if reasonably necessary for the Board or committee to conduct the business or agenda item before it (such as your request.) The record of the meeting will be public.			
Describe the proposed change. The Minnesota Plumbing Code (Minnesota Rules Chapter 4714) is available here: https://epubs.iapmo.org/2020/MPC/			
NOTE:			
<ul style="list-style-type: none"> • Please review the Minnesota Plumbing Code and include all parts of the Code that require revision to accomplish your purpose. • The proposed change, including suggested rule language, should be <i>specific</i>. If modifying existing rule language, <u>underline new words</u> and strike-through deleted words. Please list all areas of the Minnesota Plumbing Code that would be affected. See Attached document			
For Office/Committee Use Only Proposal received completed? <input type="checkbox"/> Yes <input type="checkbox"/> No			
Date Proposer notified of gaps:	Mode of notification (e.g., e-mail)	Date returned to Proposer:	Date materials re-received:
Office Use Only			
RFA File No.	Date Received by DLI	Dated Received by Committee	Date of Forwarded to Board
PB0192	3/3/2025	3/5/2025	
Title of RFA		:By	
PB0192.RFA.Mike Westemeier.Section 411.5			
Committee Recommendation to the Board: <input type="checkbox"/> Accept <input type="checkbox"/> Reject <input type="checkbox"/> Abstain			
Board approved as submitted: <input type="checkbox"/> Yes <input type="checkbox"/> No		Board approved as modified: <input type="checkbox"/> Yes <input type="checkbox"/> No	

Need and Reasons For the Change. Thoroughly explain the need and why you believe it is reasonable to make this change. During a rulemaking process, the need and reasonableness of all proposed rule changes must be justified; therefore, a detailed explanation is necessary to ensure the Board thoroughly considers all aspects of the proposal.

Jurisdictions are being asked to install personal Hygiene devices/ handheld bidet sprayer in public toilet rooms to address religious or personal preference. Currently, the plumbing code only addresses personal hygiene devices for private applications as they are listed in Table 610.3 under Private only. Providing guidance as to any sanitary requirements and sizing requirements would help designers and inspectors when these request are submitted.

If your product/method standard(s) is not currently listed in a national code, your Request For Action will not be considered by the Board or its committees, however, you are welcome to present at any Board meeting during the Open Forum section of the Agenda.

The proposal must be accompanied by copies of any published standards, the results of testing, and copies of any product listings, as documentation of the health, sanitation and safety performance of any materials, methods, fixtures, and/or appurtenances. If none are available, please explain:

Please attach electronic scanned copies of any literature, standards and product approvals or listings. Printed or copyrighted materials, **along with written permission from the publisher to distribute the materials at meetings**, and email to DLI.cclboards@state.mn.us

Primary reason for change: (check only one)	
<input type="checkbox"/> Protect public, health, safety, welfare, or security	<input type="checkbox"/> Mandated by legislature
<input type="checkbox"/> Lower construction costs	<input type="checkbox"/> Provide uniform application
<input type="checkbox"/> Encourage new methods and materials	<input type="checkbox"/> Clarify provisions
<input type="checkbox"/> Change made at national level	<input type="checkbox"/> Situation unique to Minnesota
<input checked="" type="checkbox"/> Other (describe) Provide guidance for AHJ's for installations	
Anticipated benefits: (check all that apply)	
<input type="checkbox"/> Save lives/reduce injuries	<input type="checkbox"/> Provide more affordable construction
<input checked="" type="checkbox"/> Improve uniform application	<input type="checkbox"/> Provide building property
<input checked="" type="checkbox"/> Improve health of indoor environment	<input type="checkbox"/> Drinking water quality protection
<input type="checkbox"/> Provide more construction alternatives	<input type="checkbox"/> Decrease cost of enforcement
<input type="checkbox"/> Reduce regulation	<input type="checkbox"/> Other (describe)

The Following Information is Optional. This Information can Assist in Evaluating a Request for Action and in Rulemaking and Should be Provided if Known.

Economic impact: (explain all answers marked "yes")

1. Does the proposed change increase or decrease the cost of enforcement? Yes No If yes, explain

2. Does the proposed change increase or decrease the cost of compliance? Yes No If yes, explain
Include the estimated cost increase or decrease, and who will bear the cost increase or experience the cost decrease:

3. Are there less costly or intrusive methods to achieve the proposed change? Yes No If yes, explain

4. Were alternative methods considered? Yes No If no, why not? If yes, explain what alternative methods were considered and why they were rejected.

5. If there is a fiscal impact, try to explain any benefit that will offset the cost of the change. If there is no impact, mark "N/A."

6. Provide a description of the classes of persons affected by a proposed change, who will bear the cost, and who will benefit.

7. Does the proposed rule affect farming operations? (Agricultural buildings are exempt from the Minnesota Building Code under Minnesota Statutes, Section 326B.121.) Yes No If yes, explain

Are there any existing Federal Standards? Yes No If yes, list:

Are there any differences between the proposed change and existing federal regulations? Yes No
 Not applicable Unknown If yes, describe each difference & explain why each difference is needed & reasonable.

Minnesota Statutes, section 14.127, requires the Board to determine if the cost of complying with proposed rule changes in the first year after the changes take effect will exceed \$25,000 for any small business or small city. A small business is defined as a business (either for profit or nonprofit) with less than 50 full-time employees and a small city is defined as a city with less than ten full-time employees.

During the first year after the proposed changes go into effect, will it cost more than \$25,000 for any small business or small city of comply with the change? Yes No If yes, identify by name the small business(es or small city(ies)).

Will this proposed plumbing code amendment require any local government to adopt or amend an ordinance or other regulation in order to comply with the proposed plumbing code amendment? Yes No, If yes, identify by name the government(s) and ordinances(s) that will need to be amended in order to comply with the proposed plumbing code amendment.

Additional supporting documentation may also be attached to this form. Are there any additional comments you feel the Committee/Board may need to consider? If so, please state them here:

Information regarding submitting this form:

- Submissions are received and heard by the Committee on an "as received" basis. **Any missing documentation will delay the process, and your proposal will be listed as the date it was received "Complete."**
- **Submit any supporting documentation to be considered**, such as manufacturer's literature, approvals by other states, and engineering data electronically to DLI.CCLDBOARDS@state.mn.us. Once your Request For Action form has been received, it will be assigned a file number. Please reference this file number on any correspondence and supplemental submissions.
- For copyrighted materials that must be purchased from publishers, such as published standards, product approvals or testing data, listings by agencies (IAPMO, ASSE, ASTM, etc.) you may send (or email) two copies, *along with written permission from the publisher to distribute the materials at meetings*, via U.S. Mail to: Plumbing Board, c/o Department of Labor and Industry, 443 Lafayette Road No., St. Paul, MN 55155-4344.
- For materials that must be submitted by U.S. Mail, please include a copy of your "Request For Action" form originally submitted and reference your assigned RFA file number.

Information for presentation to the Committee and/or Board:

- Limit presentations to 5 minutes or less.
- Be prepared to answer questions regarding the proposal and any documentation.

Information regarding Committee and/or Board function:


- The Plumbing Board or designated Committee.

I understand that any action is a recommendation to the Plumbing Board and is not to be considered final action.

NAME	EMAIL ADDRESS	FIRM NAME
Michael Westemeier	Michael.Westemeier@state.mn.us	CCLD/ DLI

NAME, PHONE NUMBER AND E-MAIL ADDRESS OF PRESENTER TO THE COMMITTEE (if different):

MAILING STREET ADDRESS	CITY	STATE	ZIP CODE
443 Lafayette Road N	Saint Paul	MN	55155

PHONE	SIGNATURE (original or electronic)	DATE
651-284-5898		2/27/2025

For Assistance or questions on completing this form, contact Mike Westemeier, Department of Labor and Industry at michael.westemeier@state.mn.us or by phone 651-284-5898.

411.5 Handheld Bidet Sprayers Water closets with handheld bidet sprayer devices shall comply with ASME A112.4.2/ CSA B45.16. Devices shall have the water supply protected in accordance with section 603.3.5 or Section 603.6.

The maximum hot water temperature discharge from a hand held bidet sprayer shall be limited to 110 degrees Fahrenheit(43 degrees Celsius). The Maximum temperature shall be regulated by one of the following means:

- (1) a limiting device conforming to either ASSE 1070/ASME A112.1070/CSAB125.70 or CSA B125.3.
- (2) a water heater conforming to ASSE 1084.

Provide means to sanitize the handheld bidet sprayer between each use.

Table 610.3 Water Supply Fixture Units and Minimum Fixture Branch Pipe Size

Add Row Handheld Bidet Sprayer to read as follows

Appliances, Appurtenances or Fixtures	Minimum Fixture Branch size	Private	Public	Assembly
Handheld Bidet Sprayer	1/2	1.0	1.0	-

Two Installation Options

Wall-Mounted
(Drilling required)

Toilet Tank Mounted
(Tool-free)



Out of Stock

[See Similar Options](#)



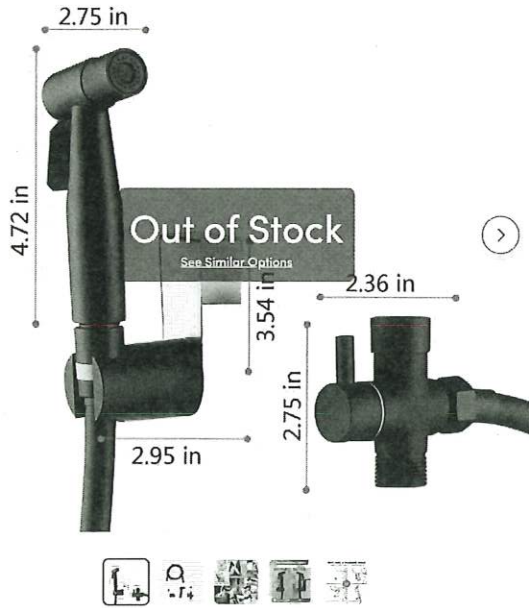
5 Minutes Setup

DIY Do it yourself



No need tools





Bidet Sprayer for Toilet, Handheld Cloth and Diaper Sprayer (Part number: BFTH-FX0021)

See More by [Kaden Era INC](#)

☆☆☆☆ 0.0 [0 Reviews](#)

\$75.99 ~~\$83.99~~ 10% Off

On Sale

Get 7% back** in rewards on qualifying items with a [Wayfair credit card](#)

Pro Price: [\\$](#) [Business Only](#) Enroll your business for FREE to save on select items.

Send me exclusive sales

Product Overview

Description

The Bidet Toilet Sprayer is made from high-quality 304 stainless steel and lead-free brass for increased durability and resistance to oxidation and corrosion. Also, the inner hose is made from high-grade EPDM, reinforced with high-density nylon braiding, to get rid of leak problems and be able to withstand high pressure. Just control the water pressure through buttons to achieve more thorough cleanliness and bring you a healthier life!

Features

- You'll find such a simple bathroom spray kit set that will make your life fresh and hygienic. It can not only clean the body, particularly ideal for women during pregnancy and menstrual cycles to get a gentle and thorough clean up but also can be used as a diaper sprayer, toilet cleaning, potty, etc. which will make the "dirty work" so much easier. Just choose the Jet spray or Soft spray modes you want then it will help you finish so much hard work
- The bathroom bidet spray kit supports two installation methods (wall or toilet rack), which is convenient for you to do it yourself! This set includes all installation components, so you don't need to purchase anything else or a plumber. You can install it in less than 10 minutes without professional help! All you need to do is pay attention to and ensure that the inlet diameter of your toilet water tank is 7/8"
- You can now enhance your personal hygiene routine and help the environment all at the same time. Save trees and reduce your carbon footprint by cutting down on toilet paper use. Now with this handheld bidet spray that will prevent all of this, it can help you save a lot of toilet paper, not only for the natural environment but also your money for toilet paper.